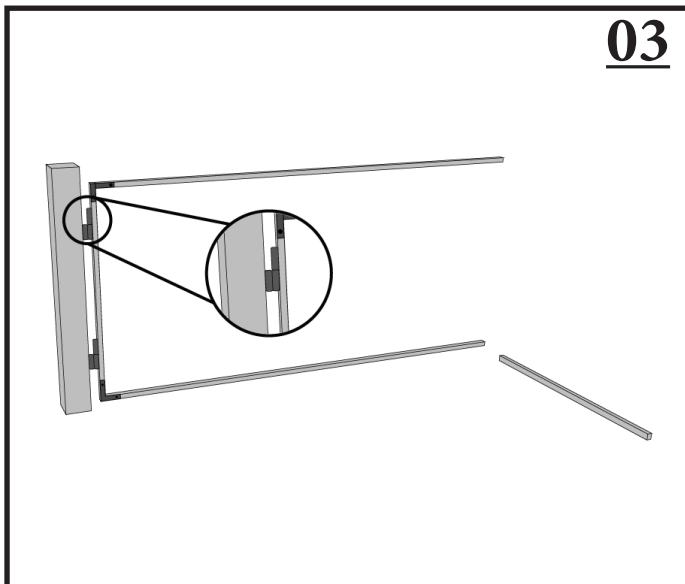
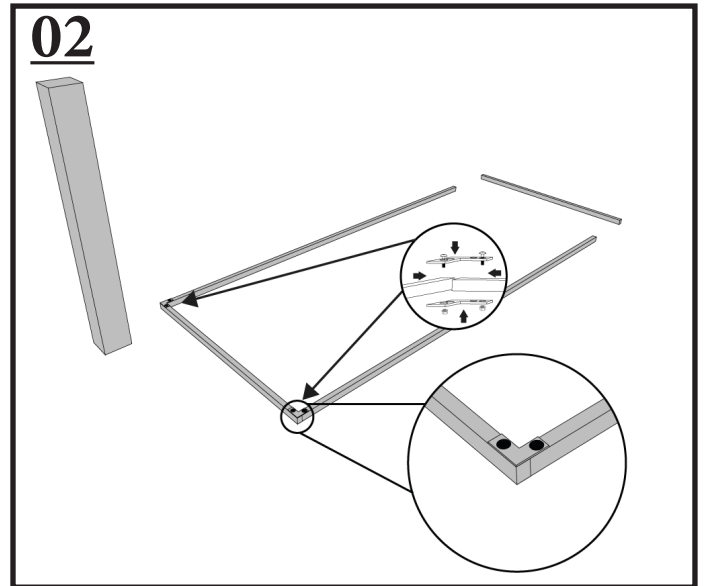
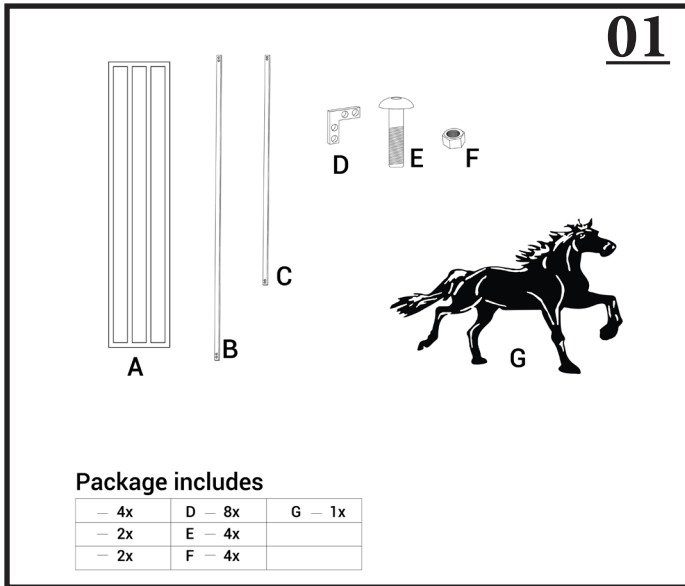
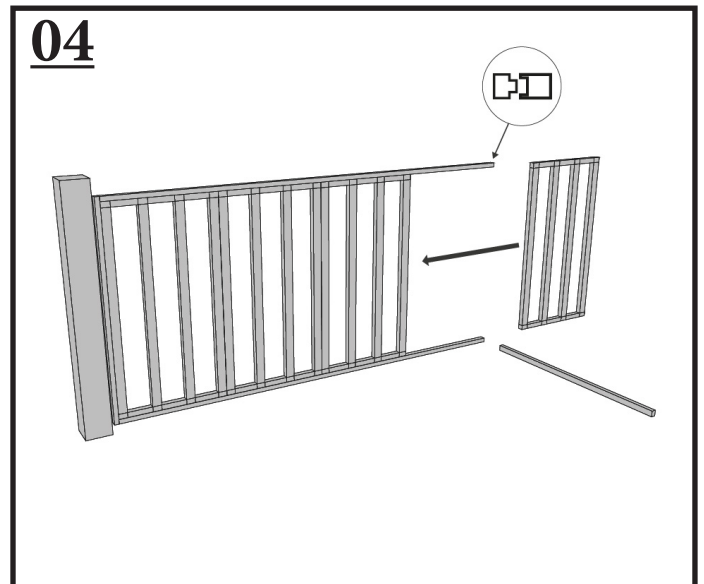


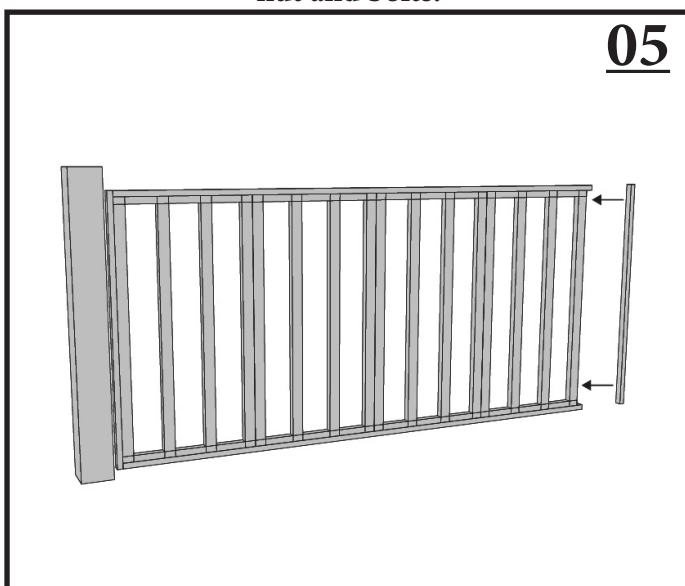
# Gate Assemble



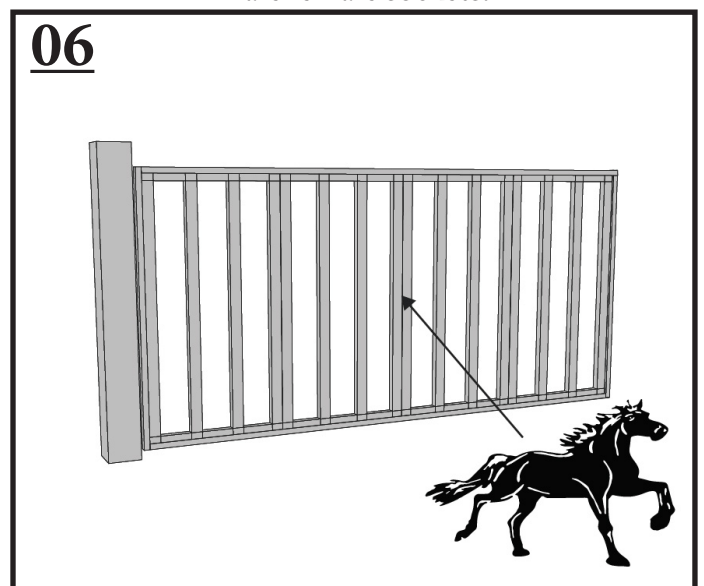
Fit the border frame with fitting parts using nut and bolts.



Placing middle frames to the main frame using Male female sockets.



Putting that last steal bar to lock all the middle panel



Placing the horse to the middle.